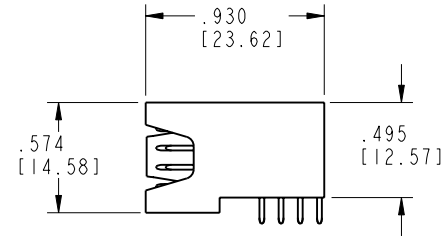
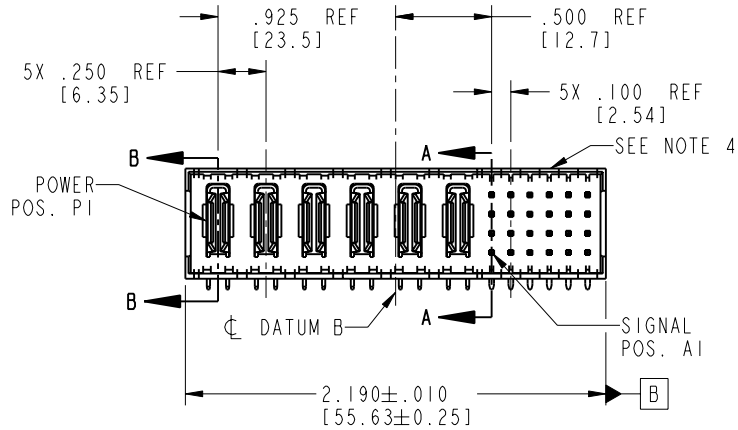


Tous droits strictement réservés. Reproduction ou communication o des liens interdite sous quelque forme que ce soit sans autorisation écrite du propriétaire. Propriété de c FCI. Droits de reproduction FCI.

All rights strictly reserved. Reproduction or issue to third parties in any form, whomever is not permitted without written authority from the proprietor. Property of FCI. Copyright FCI.



| PRODUCT NO. | ROWS | POWER | | | | | | SIGNAL | | | | | |
|------------------------|------------------|-------|----|----|----|----|----|--------|----|----|----|----|----|
| | | P1 | P2 | P3 | P4 | P5 | P6 | 1 | 2 | 3 | 4 | 5 | 6 |
| 51736-002-- NOTE: 3 | D C B A | PA | PA | PA | PA | PA | PA | UU | HH | HH | HH | HH | HH |
| | | | | | | | | TT | GG | GG | GG | GG | GG |
| | | | | | | | | SS | FF | FF | FF | FF | FF |
| | | | | | | | | RR | EE | EE | EE | EE | EE |



| CODE | DIM "M" MATING LENGTH | CONTACT TYPE |
|------|-----------------------|--------------|
| E | .220 [5.59] | SIGNAL |
| F | .220 [5.59] | SIGNAL |
| G | .220 [5.59] | SIGNAL |
| H | .220 [5.59] | SIGNAL |
| R | .270 [6.86] | SIGNAL |
| S | .270 [6.86] | SIGNAL |
| T | .270 [6.86] | SIGNAL |
| U | .270 [6.86] | SIGNAL |
| PA | N/A [N/A] | POWER |

| | | | | | | | | | | | |
|-------------|----------------|-------|----------|------------|------------------------|---------------------------------------|------------|----------|---------------------------|------------------------|-----------|
| mat'l code | | | | SEE NOTE 2 | | tolerances unless otherwise specified | | CUSTOMER | | www.fciconnect.com | |
| ltr | ecn no. | dr | date | linear | .XX±.01/0.X±0.3 | | COPY | | title | | |
| A | V21401 | CGD | 08/29/02 | | .XXX±.005/0.XX±0.13 | | projection | | 6P + 24S | | |
| B | DG05-0501 | GuoJM | 11/24/05 | | .XXX±.0020/0.XXX±0.051 | | | | RIGHT ANGLE SOLDER HEADER | | |
| | | | | angles | 0° ± 2° | | INCH/MM | | product family | | code |
| | | | | dr | C. DAILY | 08/29/02 | scale | | PwrBlade | | 213 |
| | | | | engr | M. MOSTOLLER | 08/29/02 | 1:1 | | size | | sheet |
| | | | | chr | M. MOSTOLLER | 08/29/02 | | | dwg no | | 1 of 4 |
| | | | | appd | M. MOSTOLLER | 08/29/02 | | | A | | 51736-002 |
| sheet index | revision sheet | B | B | B | B | | | | | | |
| | | 1 | 2 | 3 | 4 | | | | | | |

cage code 22526

Pro/E

PDM: Rev:B

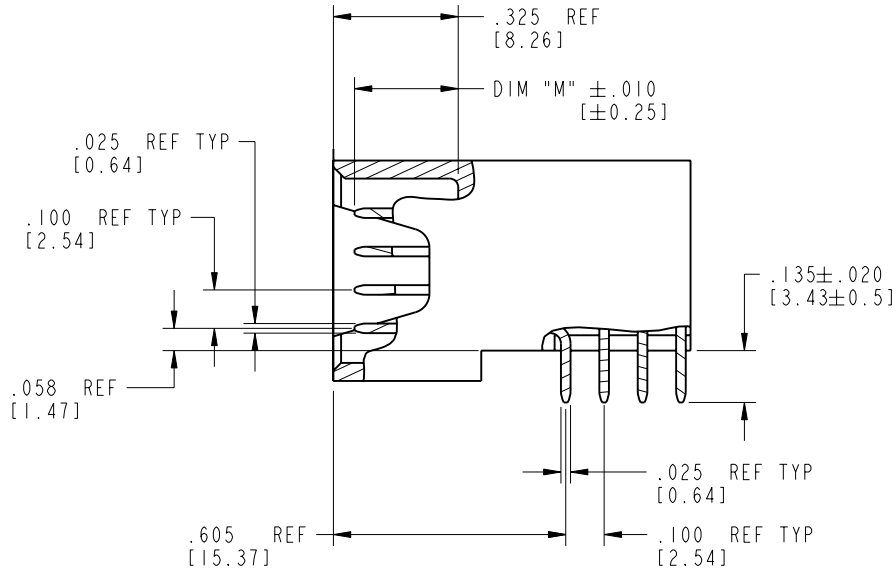
STATUS: Released

Printed: Aug 14, 2007

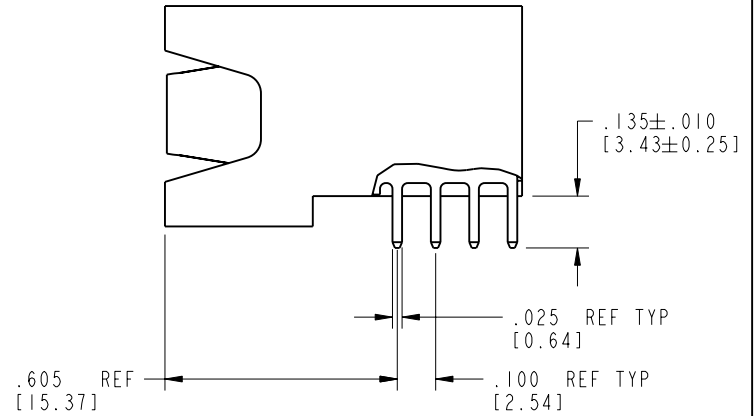
Tous droits strictement réservés. Reproduction ou communication o des liers interdite sous quelque forme que ce soit sans autorisation écrite du propriétaire. Propriete de c FCI. Droits de reproduction FCI.

All rights strictly reserved. Reproduction or issue to third parties in any form whatever is not permitted without written authority from the proprietor. Property of FCI. Copyright FCI.

PRODUCT NUMBER
51736-002--
NOTE: 3



BROKEN-OUT SECTION A-A
SCALE 2:1



BROKEN-OUT SECTION B-B
SCALE 2:1

| | | | | | | | | | | | |
|-------------|----------------|----|------|------------|------------------------|---------------------------------------|-------------|----------|---------------------------|------------------------|--------|
| mat'l code | | | | SEE NOTE 2 | | tolerances unless otherwise specified | | CUSTOMER | | www.fciconnect.com | |
| lfr | ecn no. | dr | date | linear | .XX±.01/0.X±0.3 | | COPY | | projection | title | |
| B | | | | | .XXX±.005/0.XX±0.13 | | INCH/MM | | | 6P + 24S | |
| | | | | angles | .XXX±.0020/0.XXX±0.051 | | scale | | RIGHT ANGLE SOLDER HEADER | | |
| | | | | | 0° ± 2° | | 1:1 | | product family | | |
| | | | | dr | C. DAILY | 08/29/02 | | | PwrBlade | | code |
| | | | | enr | M. MOSTOLLER | 08/29/02 | | | size | | 213 |
| | | | | chr | M. MOSTOLLER | 08/29/02 | | | dwg no | | sheet |
| | | | | appd | M. MOSTOLLER | 08/29/02 | | | A 51736-002 | | 2 of 4 |
| sheet index | revision sheet | | | | | | | | | | |

cage code 22526

Pro/E

PDM: Rev:B

STATUS: Released

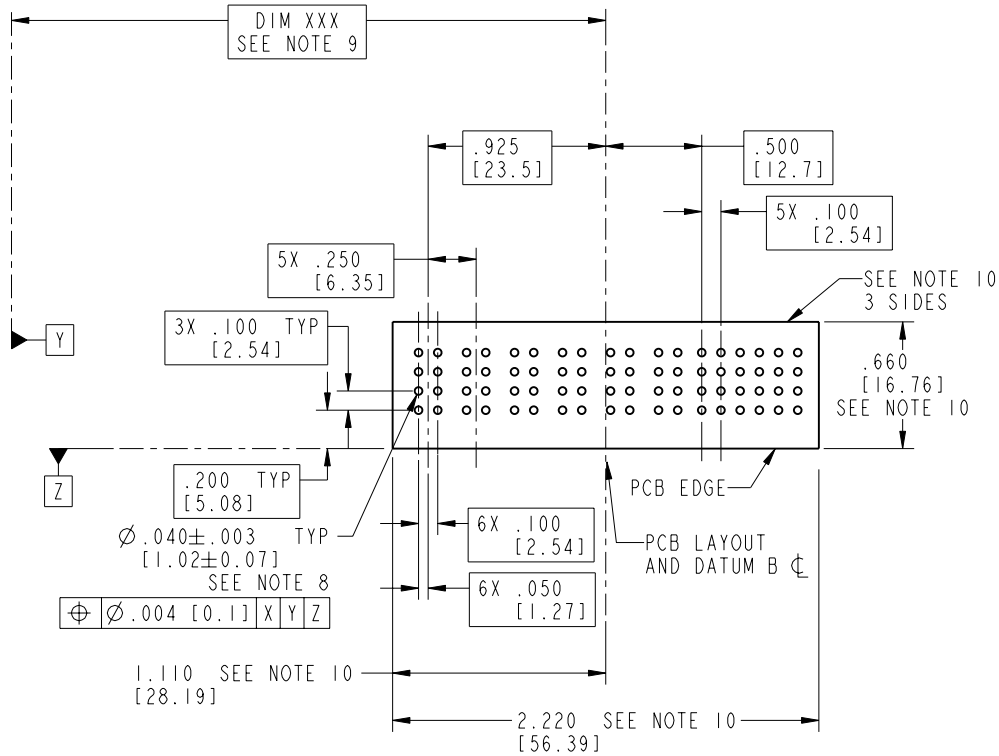
Printed: Aug 14, 2007

Tous droits strictement réservés. Reproduction ou communication o des liens interdite sous quelque forme que ce soit sans autorisation écrite du propriétaire. Propriété de c FCI. Droits de reproduction FCI.



All rights strictly reserved. Reproduction or issue to third parties in any form, whatever is not permitted without written authority from the proprietor. Property of FCI. Copyright FCI.

PRODUCT NUMBER
51736-002--
NOTE: 3



RECOMMENDED PCB LAYOUT

| | | | | | | | | | |
|-------------|----------------|------------|------|---------------------------------------|------------------------|------------|---------------------------|------------------------|--------|
| mat'l code | | SEE NOTE 2 | | tolerances unless otherwise specified | | CUSTOMER | | www.fciconnect.com | |
| lfr | ecn no. | dr | date | linear | .XX±.01/0.X±0.3 | projection | COPY | | |
| B | | | | angles | .XXX±.005/0.XX±0.13 | | title 6P + 24S | | |
| | | | | dr | .XXX±.0020/0.XXX±0.051 | INCH/MM | RIGHT ANGLE SOLDER HEADER | | |
| | | | | enr | 0° ± 2° | scale | product family | PwrBlade | code |
| | | | | chr | C. DAILY 08/29/02 | 1:1 | size | dwg no | 213 |
| | | | | appd | M. MOSTOLLER 08/29/02 | | A | 51736-002 | sheet |
| sheet index | revision sheet | | | | M. MOSTOLLER 08/29/02 | | | | 3 of 4 |

cage code 22526

Pro/E

PDM: Rev:B

STATUS: Released

Printed: Aug 14, 2007

Tous droits strictement réservés. Reproduction ou communication o des liers interdite sous quelque forme que ce soit sans autorisation écrite du propriétaire. Propriete de c FCI. Droits de reproduction FCI.



All rights strictly reserved. Reproduction or issue to third parties in any form, whenever is not permitted without written authority from the proprietor. Property of FCI. Copyright FCI.

PRODUCT NUMBER

51736-002__
NOTE: 3

NOTES:

1. DIMENSIONS AND TOLERANCES ARE IN ACCORDANCE WITH ASME Y14.5M, 1994 UNLESS OTHERWISE SPECIFIED.

CONNECTOR NOTES:

2. HOUSING MATERIAL: UL 94 V-0 GLASS FILLED
HIGH-TEMP THERMOPLASTIC
POWER CONTACT MATERIAL: COPPER ALLOY
SIGNAL PIN MATERIAL: COPPER ALLOY

3. PLATING:

51736-002 Singal Pin:30u"/0.76um Au OVER 50u"/1.27um Ni ON THE CONTACT AREA.
AND 100u"/2.54um SnPb PLATING OVER 50u"/1.27um Ni ON THE TERMINATION SECTION.
Power Pin:30u"/0.76um Au OVER 50u"/1.27um Ni ON THE CONTACT AREA,
AND 100u"/2.54um SnPb PLATING OVER 50u"/1.27um Ni ON THE TERMINATION SECTION.

51736-002LF Singal Pin:30u"/0.76um Au OVER 50u"/1.27um Ni ON THE CONTACT AREA.
AND 78u"/2.00um Sn PLATING OVER 50u"/1.27um Ni ON THE TERMINATION SECTION.
Power Pin:30u"/0.76um Au OVER 50u"/1.27um Ni ON THE CONTACT AREA,
AND 78u"/2.00um Sn PLATING OVER 50u"/1.27um Ni ON THE TERMINATION SECTION.

PART NUMBER 51736-002LF MEETS EUROPEAN UNION DIRECTIVE AND OTHER COUNTRY REGULATIONS AS DESCRIBED IN GS-22-008.

THE HOUSING WILL WITHSTAND EXPOSURE TO 260° PEAK TEMPERATURE FOR 10 SECONDS IN A WAVE SOLDER APPLICATION WITH A CIRCUIT BOARD.

4. MANUFACTURER'S NAME, P/N, AND DATE CODE TO APPEAR ON THIS SURFACE.

5. PRODUCT SPECIFICATION GS-12-149.
APPLICATION SPECIFICATION BUS-20-067.

PCB NOTES:

6. ALL HOLE DIAMETERS ARE FINISHED HOLE SIZE.
7. MOUNTING HOLES, WHERE APPLICABLE, ARE UNPLATED.

8. Ø.0453±.0010 [1.151±0.025] DRILLED HOLES PLATED WITH .0003 [0.008] MIN SnPb OVER .001 [0.03] TO .003 [0.08] Cu PLATING TO ACHIEVE Ø.040±.003 [1.02±.07] HOLE.

9. "DIM XXX" TO BE DETERMINED BY THE CUSTOMER.

10. CONNECTOR KEEP-OUT ZONE.

| | | | | | | | | | | | |
|-------------|----------------|----|------|------------|------------------------|---------------------------------------|---------------|----------|---|------------------------|--|
| mat'l code | | | | SEE NOTE 2 | | tolerances unless otherwise specified | | CUSTOMER | | www.fciconnect.com | |
| lfr | ecr no. | dr | date | linear | .XX±.01/0.X±0.3 | | COPY | | title 6P + 24S RIGHT ANGLE SOLDER HEADER | www.fciconnect.com | |
| B | | | | | .XXX±.005/0.XX±0.13 | | projection | | | | |
| | | | | angles | .XXX±.0020/0.XXX±0.051 | | INCH/MM | | product family PwrBlade code 213 | | |
| | | | | | ° ± ° | | scale 1:1 | | size dwg no A 51736-002 sheet 4 of 4 | | |
| | | | | dr | C. DAILY | 08/29/02 | | | | | |
| | | | | enr | M. MOSTOLLER | 08/29/02 | | | | | |
| | | | | chr | M. MOSTOLLER | 08/29/02 | | | | | |
| | | | | appd | M. MOSTOLLER | 08/29/02 | | | | | |
| sheet index | revision sheet | | | | | | | | | | |

coge code 22526